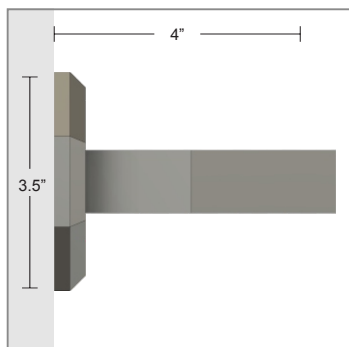
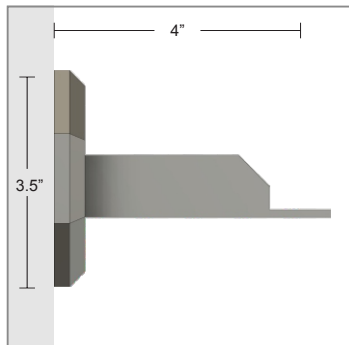


## SQUARE WALL ASSEMBLY



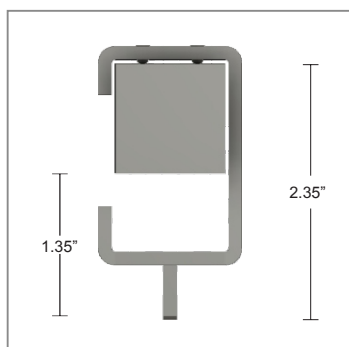
### SQBWB4 - Return Bracket

- Stocked in standard 4" wall projection.
- Includes mounting hardware for both hollow wall (Sheetrock) and stud installation. For concrete, please enquire.
- Backplate measures 3 1/2"H x 3 1/2"W, large flat surface ensures strong installation even with hollow walls.
- Hidden 1/4" adjustment glide allows for fine installation adjustments.
- Custom projection and double-rod installation available.



### SQCWB4 - Passing Wall Bracket

- Passing bracket allows for wide-width function curtain when used with c-ring.
- Stocked in standard 4" wall projection.
- Hidden 1/4" adjustment glide allows for fine installation adjustments.
- Custom projection available.

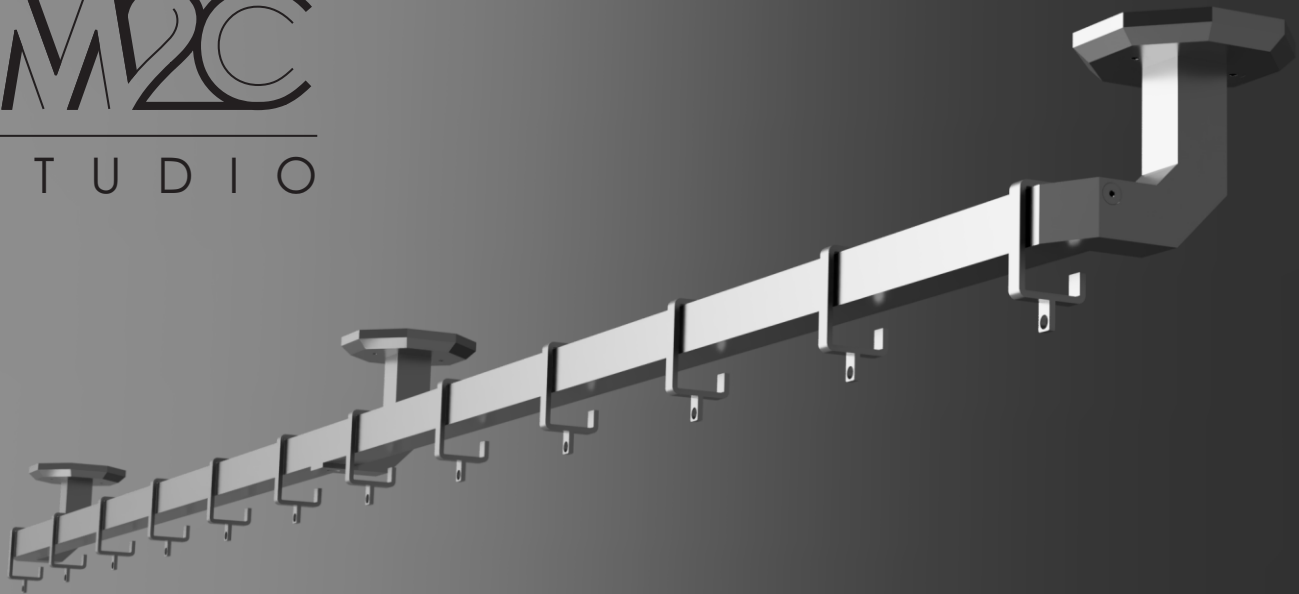


### SQPR225 - Passing C Ring

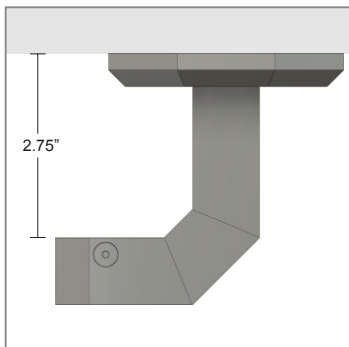
- PC ring passes center bracket for full functionality.
- Rings glide on custom plastic inserts for ease of use and sound control.

### HIGHLIGHTS

- Solid steel construction throughout
- Hand-patina finishes
- Wood rods with steel insert for additional strength
- Custom options: bay radius, corners, bespoke finishes
- Manual and motorized track options

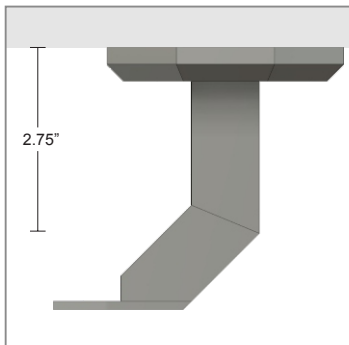


## SQUARE CEILING ASSEMBLY



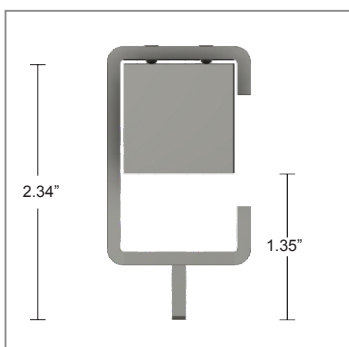
### SQECB4 - Ceiling End Bracket

- Stocked in standard 2.75" wall projection.
- Backplate measures 3 1/2"H x 3 1/2"W, large flat surface ensures strong installation even with hollow walls.
- Hidden 1/4" adjustment glide allows for fine installation adjustments.
- Custom projection and double-rod installation available.



### SQCCB4 - Ceiling Center Bracket

- Passing bracket allows for wide-width function curtain when used with c-ring.
- Hidden 1/4" adjustment glide allows for fine installation adjustments.
- Custom drop/projection available.



### SQPR225 - Passing C Ring

- PC ring passes center bracket for full functionality.
- Rings glide on custom plastic inserts for ease of use and sound control.

## HIGHLIGHTS

- Solid steel construction throughout
- Hand-patina finishes
- Custom options: bay radius, corners, bespoke sehsinfi
- Manual and motorized track options